

Carbon Dioxide Transmitter **NEW** With Temperature and RH% Transmitter Model: GAS-CO2-0XX-MA (ND/D) Series

- ◆ Real time carbon dioxide detection and transmitting
- ◆ High accuracy Temperature and humidity detection
- ◆ Provide 3xanalog linear outputs for measurements
- ◆ With or without LCD selectable
- ◆ 3-color backlit LCD for indication and alarm
- ◆ Modbus RS485 interface (option)
- ◆ CE-approval

■ Features

- ◆ Design for real time measuring ambient Carbon Dioxide level, temperature & RH%
- ◆ NDIR infrared CO₂ sensor inside with special Self Calibration. It makes CO₂ measurement more accurate and more reliable.
- ◆ More than 10 years lifetime of CO₂ sensor
- ◆ High accuracy temperature and humidity measurement
- ◆ Combined both humidity and temperature sensors seamlessly with digital auto compensation
- ◆ Basic type without LCD and standard type with LCD selectable
- ◆ 3-color backlit LCD provides indication and alarm function
- ◆ Wall mounting for easy installation.
- ◆ ModBus RS485 communication interface (option)
- ◆ 24VAC/VDC power supply.
- ◆ EU standard and CE-approval



■ Application

- ◆ Building ventilation systems
- ◆ Industry ventilation systems
- ◆ Airport, train station, shopping mall, office, classroom and other public places for air quality measurement and indication
- ◆ Lab., warehouse, and other places to detect CO₂+Temp. +RH%

■ Specifications

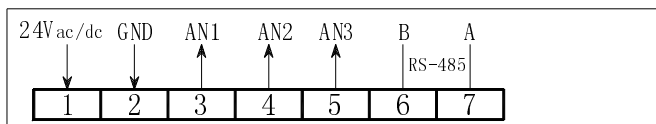
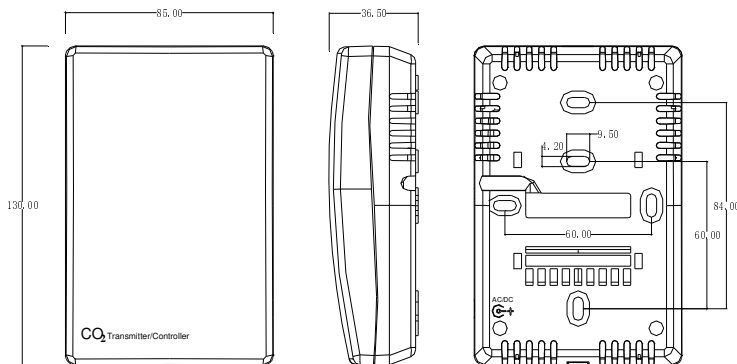
Carbon Dioxide		
Sensing element	Non-Dispersive Infrared Detector (NDIR)	
CO ₂ measuring range	0~2000ppm/ (standard) 0~5,000ppm/0~ 20000ppm optional	
CO ₂ Accuracy@25°C	±30ppm + 3% of reading	
Stability	<2% of FS over life of sensor (15 yr typical)	
Calibration	ABC Logic Self Calibration Algorithm	
Response Time	<2 minutes for 90% step change	
Signal update	Every 2 seconds	
	Temperature	Humidity
Measuring range	-20°C~60 °C (default) 0°C~60°C selectable	0-100%RH
Accuracy	±0.4 °C	<3%RH (20%-80%RH)
Display resolution	0.1 °C	0.1%RH
Stability	±0.1 °C	±1%RH per year
General Data		
Warm up time	24 hours (first time) / 5 minutes (operation)	
Power supply	24VAC/VDC	
Consumption	1.8 W max. ; 1.2 W avg.	
Analog outputs	3 X analog outputs 0~10VAC or 4~20mA selectable in the order or by jumpers	
LCD	3-color backlit LCD display CO ₂ , Temperature and humidity Green: CO ₂ ≤1000ppm Yellow: 1000ppm< CO ₂ ≤1400ppm Red: CO ₂ >1400ppm	
RS485 interface (optional)	RS-485 with ModBus protocol, 19200bps rate, 15KV antistatic protection, independent base address.	
Operation conditions	0~50 °C (32~122 °F); 0~95%RH, non condensing	
Storage conditions	-20~60 °C (-40~158 °F); 0~90%RH(non condensing)	
Net Weight	240g	
Dimensions	130mm(H)×85mm(W)×36.5mm(D)	

Installation	wall mounting with 65mm×65mm or 2"×4"wire box
Housing and IP class	PC/ABS fireproof plastic material, protection class: IP30
Standard	CE-Approval

■ Models Guide

- XX: For CO2: 0-2000 ppm (02)-STANDARD, CO2: 0-5000 ppm (05), CO2: 0-20,000 ppm: (20)
- M : Analogue outputs for Humidity & temperature & RS485 Modbus comms OR
- A: Analogue output for CO2 only
- ND: Non-Display OR
- D: Display
- Operation: 24 V AC/DC

■ Mounting and Dimensions



GASALARM SYSTEMS

Add: 2/79 Station Road Seven Hills, NSW 2147 Australia
 Tel: +61 (0)2 9838 7220 Fax: +61 (0)2 9838 7664
<http://www.gasalarm.com.au>