

Fumi Track

Automatic 4-Zone Fumigation Gas Monitor
(for PH₃ or MBr or SO₂F₂)

FUMI TRACK



▶ FEATURES

- For high range monitoring of fumigation concentrations of PH₃ / MBr / SF
- Advanced micro-processor based technology
- Highly accurate electrochemical fuel cell technology used for PH₃ monitoring
- Easy to program and use
- Powerful suction pump – 100 m suction capacity
- Housed in a tough Pelican Storm Case – weather and water-proof
- Inbuilt memory capacity of 1000+ data values
- Bluetooth and GSM connectivity options



▲ Robust Pelican Storm Case

USER PROFILE

- Fumigators
- Warehousing companies
- Grain Silo owners
- Tobacco industry



Fumi Track

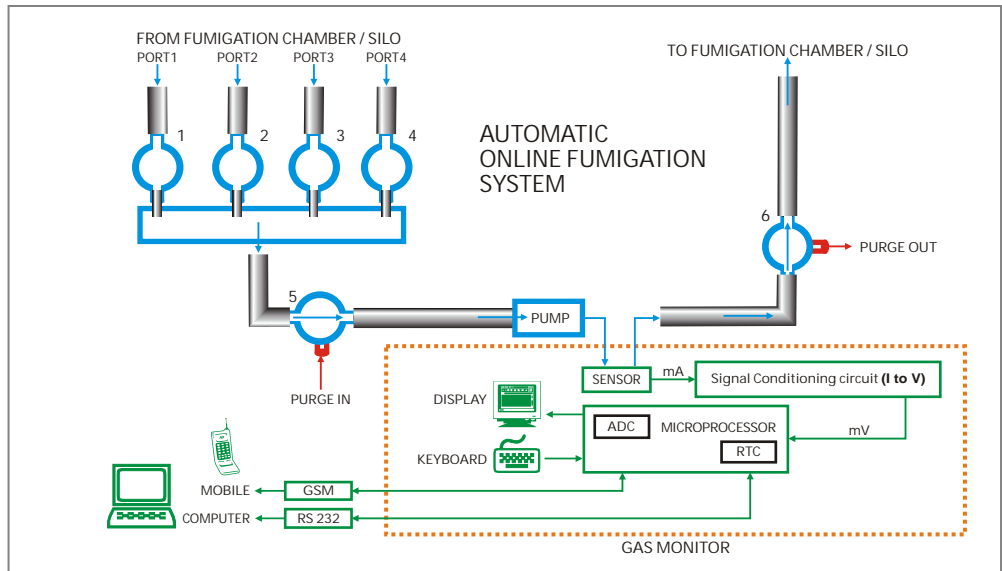
Automatic 4-Zone Fumigation Gas Monitor
(for PH₃ or MBr or SO₂F₂)

FUMI TRACK

▶ FUMITRACK

Phosphine, Methyl bromide and Sulfuryl Fluoride are highly specific fumigants used to control a number of pests in a wide range of agricultural and horticultural crops and in wood products. Fumigation is carried out by enclosing the commodities within a leak proof enclosure and applying the fumigant at an adequate concentration for an extended period of time. Eg. Phosphine may be applied at a concentration ranging from 400 to 2000 ppm for a period of 5 to 21 days.

As a process control measure it is necessary to monitor the fumigant concentrations throughout the period of fumigation. For this application, an online fumigation gas monitor is the right choice. This can periodically monitor the fumigation gas concentration from up to 4 different locations. The gas concentration readings can be stored in the inbuilt instrument memory, which can then be transferred to a PC equipped with a customized Graphic User Interface (GUI) software. After each measurement cycle the data can also be remotely communicated by GSM short text messaging to mobile phone and also uploaded to a web server.



▶ SPECIFICATIONS

Gas Detected:	PH ₃	MBr	SF
Sensor:	Electrochemical	Thermal Conductivity	Thermal Conductivity
Gas Range:	0-2000 ppm	0-200 g/m ³	0-100 g/m ³
Resolution:	1 ppm	1 g/m ³	1 g/m ³

Gas Sampling: Sample draw type with 6 Liters/minute (Suction capacity from a distance of 300 feet)
 No. of zones: 4 x inlet ports / 1 x return back to silo port / 2 x fresh air purge ports

Communication: GSM Text messaging to a mobile phone and also on Fumitrack GUI installed on a PC
 Power Supply: 110-240V AC, 50/60 Hz Inbuilt SMPS (+24V, +5V, -5V, GND)

Display and Indicator Specifications

Display: 20 x 4 alphanumeric Display.

Physical Specifications

Enclosure: Robust and weatherproof Pelican Storm case
 Operating Temperature Range: -10 to 50 °C
 Operating Pressure: Ambient +/- 10%
 Weight: Approx 2 kg
 Dimensions: 487 x 386 x 185 mm

Electronics and Electrical Specifications

Electronics: Microprocessor based instrument
 Memory capacity: 1000 cycles (each cycle consists of 4 port readings with date and time)

Graphic User Interface:

- Full instrument programming via GUI through Bluetooth
- Data-downloading on GUI after complete fumigation is over
- Real-time remote transmission of data via GSM short message texting after each cycle



Certificate No. IND86004/R1

Due to continuing development we reserve the right to change specifications without prior notice.

Manufactured By:
 Uniphos Envirotronic Pvt. Ltd
 Chemo Electronic Laboratory,
 P.O. Nahuli - 396 108
 Tal. Umbergaon,
 Dist: Valsad, Gujarat, India
 Tel. : +91(260) 2730156 / 57 / 58
 Fax : +91(260) 2730160

Marketing Office:
 Uniphos Envirotronic Pvt. Ltd
 Readymoney Terrace, 167,
 Dr. Annie Besant Road, Worli,
 Mumbai 400 018, India.
 Tel. : +91(22) 6123 3500
 Fax : +91(22) 2493 8826
 +91 (22) 2497 8119

gasdetection@uniphos.com
 www.uniphos-she.com