

PolyGard® Stainless Steel Housing for AT and DT Transmitters

Description

Shapely designed stainless steel housing for enclosing the PolyGard AT und DT gas transmitter series equipped with a practical snap closing without screwing. To avoid unauthorized opening the housing can only be opened by the enclosed opening tool OT 01.



www.msr-electronic.de

Opening tool

Technical Data

Material	Stainless Steel, 1 mm, corrosion-resistant
Color	Natural, brushed
Protection class	IP 55
Dimensions	(W x H x D) 135 x 113 x 45 mm (5.35 x 4.5 x 1.8 in.)
Cable entry	Boreholes for M 20 screwing
Gas inlet	Direct
Weight	Approx. 0,5 kg (1.1 lbs.)
Mounting	Suitable for plane surfaces and pillars
Mounting accessories	M 20 screwing, screws

Ordering Information

XT-5-XX-XX

Cover Stamping

- 1X Without stamping
- 2X MSR-E stamping
- 3X Customer's stamping¹

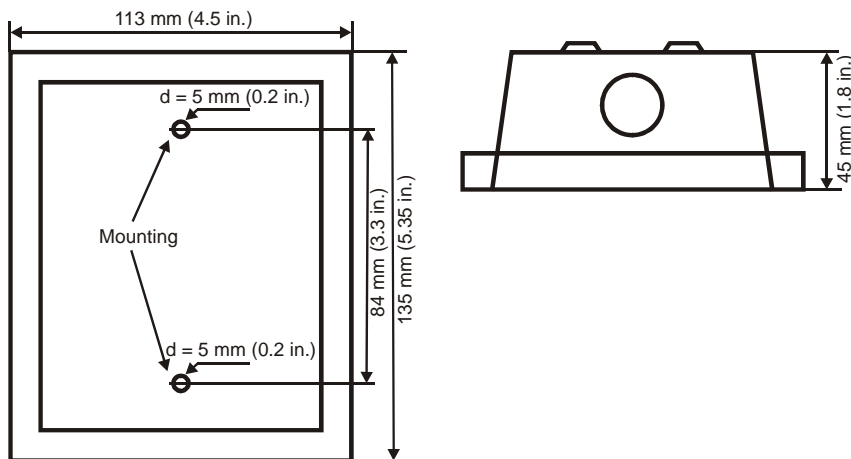
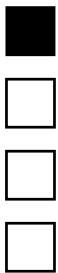
Cable entry

- X1 Cable entry above
- X2 Cable entry above /below
- X3 Cable entry back side²

¹ On request

² On request

Dimensions



PolyGard® Plastic Housing for AT and DT Transmitters

Description

Plastic housing for enclosing the PolyGard AT and DT transmitter series.



www.msr-electronic.de

Technical Data

Material	Plastic GWPLAST 2,5 mm (0.1 in.)
Color	RAL 7032 (gray)
Protection class	IP 54
Dimensions	(W x H x D) 127 x 87 x 56 mm (5 x 3.4 x 2.2 in.)
Temperature range	-20 °C to 50 °C (-4 °F to 122 °F)
Cable entry	Boreholes for M 20 screwing
Gas inlet	Inlet cap
Weight	Approx. 0,2 kg (0.44 lbs.)
Mounting	Suitable for plane surfaces and pillars
Mounting accessories	M 20 screwing, screws

Ordering Information

XT-0-XX-XX

Cover Logo

- 1X Without Logo
- 2X MSR-E Logo
- 3X Customer's Logo¹

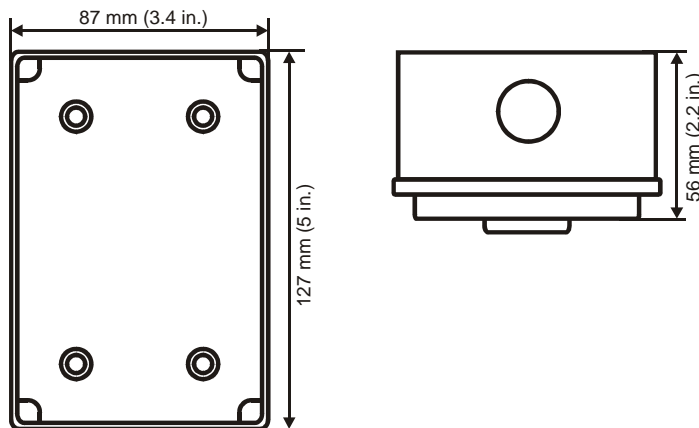
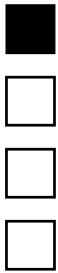
Cable entry

- X1 Cable entry above
- X2 Cable entry above /below
- X3 Cable entry back side²

¹ On request

² On request

Dimensions



PolyGard® Sheet Steel Housing for AT and DT Transmitters

Description

Sheet steel housing for enclosing the PolyGard AT and DT transmitter series.



www.msr-electronic.de

Technical Data

Material	Sheet steel 0,8 mm, (0.03 in.) zinc-plated
Color	Light gray
Protection class	IP 44
Dimensions	(W x H x D) 116 x 116 x 57 mm (4.57 x 4.57 x 2.25 in.)
Cable entry	Boreholes for M 20 screwing
Gas inlet	Direct
Weight	Approx. 0,4 kg (0.88 lbs.)
Mounting	Suitable for plane surfaces
Mounting accessories	M 20 screwing, screws

Ordering Information

XT-2-XX-XX

Cover Logo

- 1X Without Logo
- 2X MSR-E Logo
- 3X Customer's Logo¹

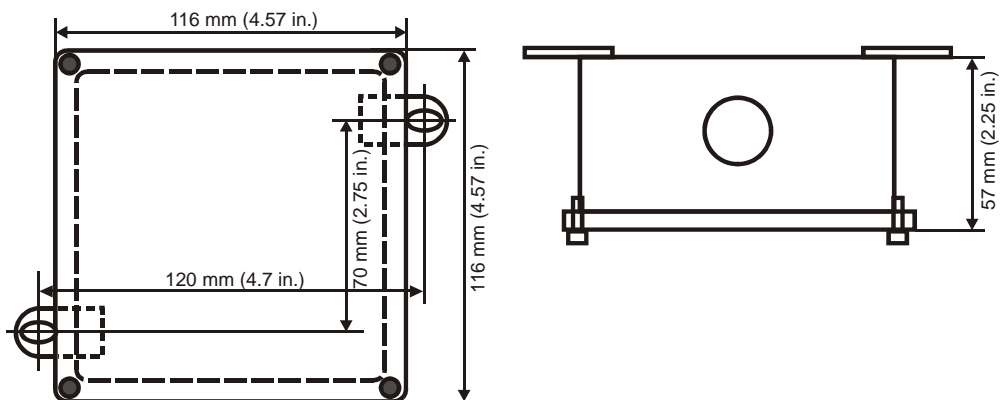
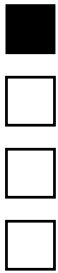
Cable entry

- X1 Cable entry above
- X2 Cable entry above /below
- X3 Cable entry back side²

¹ On request

² On request

Dimensions



PolyGard® Splash Guard Housing (IP 65) for AT and DT Transmitters

Description

Splash guard housing for enclosing the PolyGard AT and DT transmitter series.



www.msr-electronic.de

Technical Data

Material	ABS
Color	Light gray RAL 7035
Protection class	IP 65
Dimensions	(W x H x D) 122 x 120 x 80 mm (4.8 x 4.7x 3.15 in.)
Cable entry	Boreholes for M 20 screwing
Temperature range	-20 °C to 50 °C (- 4 °F to 122 °F)
Gas inlet	Splash guard
Weight	Approx. 0,5 kg (1.1 lbs.)
Mounting	Suitable for plane surfaces
Mounting accessories	M 20 screwing, screws

Ordering Information

XT-4-XX-XX

Cover Logo

- 1X Without Logo
- 2X MSR-E Logo
- 3X Customer's Logo¹

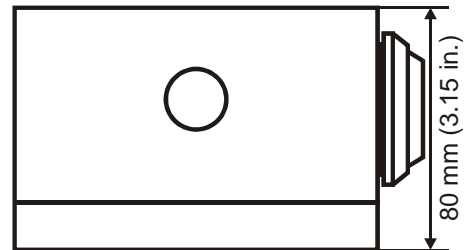
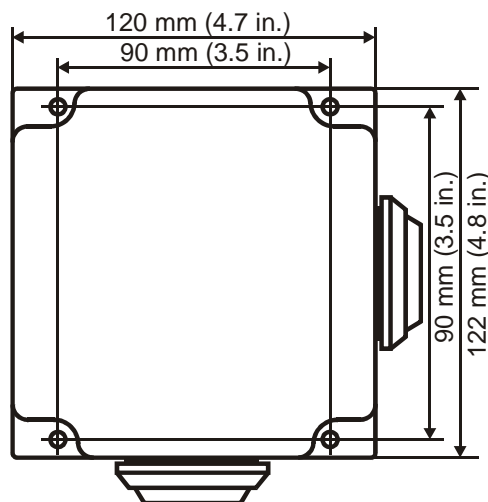
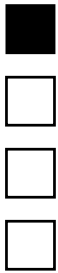
Cable entry

- X1 Cable entry above
- X2 Cable entry above /below
- X3 Cable entry back side²

¹ On request

² On request

Dimensions



PolyGard® Housing for Duct Mounting of AT and DT Transmitters

Description

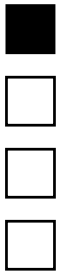
Splash guard housing for enclosing PolyGard AT and DT transmitter series.



www.msr-electronic.de

Technical Data

Material	Sheet steel 0,8 mm, (0.03 in.), zinc-plated
Color	Light gray
Protection class	IP 65
Dimensions	(W x H x D) 140 x 140 x 60 mm (5.5 x 5.5 x 2.4 in.)
Cable entry	Boreholes for M 20 screwing
Gas inlet	Direct
Weight	Approx. 0,5 kg (1.1 lbs)
Length of sampling	182 mm (7.2 in.), suitable for cutting to length
Mounting	Duct mounting
Mounting accessories	M 20 screwing, screws



Ordering Information

XT-1-XX-XX

Cover Logo	
1X	Without Logo
2X	MSR-E Logo
3X	Customer's Logo ¹

Cable entry	
X1	Cable entry above
X2	Cable entry above /below

¹ On request

Dimensions

